

# 07

## FORWARD LIGHTING

*PHARES UTILITAIRES*

*FAROS DELANTEROS*

## 7" LED SEALED BEAM HEADLAMP



### FEATURES & BENEFITS

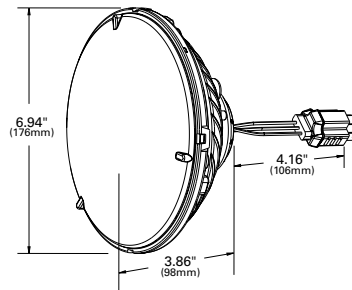
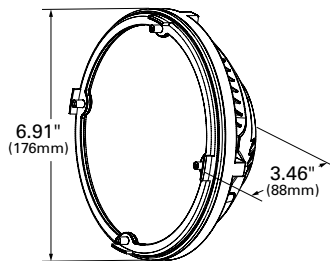
- Designed for a standard H4 connection, no additional wiring needed for vehicles featuring standard H4 wiring
- Long-lasting LEDs and impact-resistant polycarbonate lens outperform OEM halogen and incandescent bulbs in longevity, light output and pattern
- Heated Lens (64H71-5) is designed to melt snow/ice in 15-20 minutes



90941-5



64H71-5



Part Number	FMVSS/SAE	Product Description	Low Beam Watt	High Beam Watt	Voltage (V)	Amperage (A)
90941-5 <i>RETAIL MULTI</i>	HL13	Grote® 7" LED Head Lamp	15	27	9-32V	1.4A at 12.8 low 2.13A at 12.8 low
64H71-5 <i>RETAIL MULTI</i>	HB: UB3 LB: LB3V	7" Round Heated LED Head Lamp	15 42 (heated)	20 48 (heated)	12-30V	2.91A at 12V 1.16A at 30V 7.5A at 12V (Heat Function Active)

### Accessories

Part Number	Description
68630	Self-addressable pigtail for vehicles with non-standard H4 wiring
68670	Constant power harness (Anti-flicker)

Materials	Certifications
Housing: anodized aluminum, Lens UV-coated polycarbonate	7" lamp meets DOT, FMVSS, SAE standards for 2D-1

*All figures listed are based on nominal voltage*

### Interchange

Part Number	Replaces Halogen Lamp
90941-5, 64H71-5	H6024

VMRS Code: 034-001-151

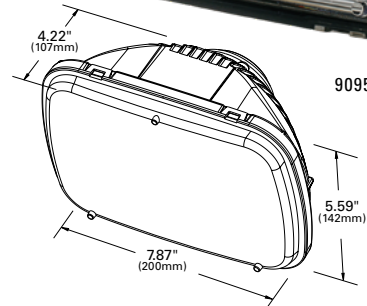
## LED 5"X7" LED SEALED BEAM HEADLAMP

### FEATURES & BENEFITS

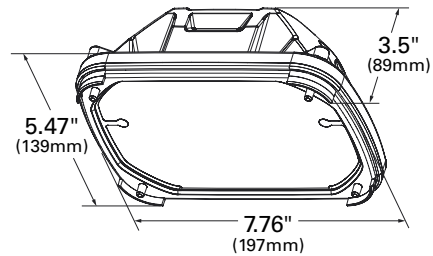
- Designed for a standard H4 connection, no additional wiring needed for vehicles featuring standard H4 wiring
- Long-lasting LEDs and impact-resistant polycarbonate lens outperform OEM halogen and incandescent bulbs in longevity, light output and pattern
- Heated Lens (64H81-5) is designed to melt snow/ice in 15-20 minutes



64H81-5 - Heated



90951-5



Part Number	FMVSS/SAE	Product Description	Low Beam Watt	High Beam Watt	Voltage (V)	Amperage (A)
90951-5 <b>RETAIL</b> <b>MULTI</b>	HL13	Grote® 5"x7" LED Head Lamp	21	33	9-32V	1.59A at 12.8 low 2.54A at 12.8 high
64H81-5 <b>RETAIL</b> <b>MULTI</b>	HB: UB3 LB: LB3V	Grote® 5"x7" Heated LED Head Lamp	15 42 (Heated)	20 48 (Heated)	12-30V	2.91A at 12V H+L 7.5A at 12V H+L (Heat Function Active)

### Accessories

Part Number	Description
68630	Self-addressable pigtail for vehicles with non-standard H4 wiring
68670	Constant power harness (Anti-flicker)

Materials	Certifications
Housing: anodized aluminum, Lens UV-coated polycarbonate	5"x7" lamp meets DOT, FMVSS, SAE standards for 2B-1

All figures listed are based on nominal voltage

### Interchange

Part Number	Replaces Halogen Lamp
90951-5	H6024, 2B-1

VMRS Code: 034-001-151

# 4"X6" LED SEALED BEAM HEADLAMP



## FEATURES & BENEFITS

- Designed for a standard H4 connection, no additional wiring needed for vehicles featuring standard H4 wiring
- Long-lasting LEDs and impact-resistant polycarbonate lens outperform OEM halogen and incandescent bulbs in longevity, light output and pattern
- Heated lens versions (64J61-5 and 64J71-5) are designed to melt snow and ice in 15-20 minutes



64J71-5

64J61-5



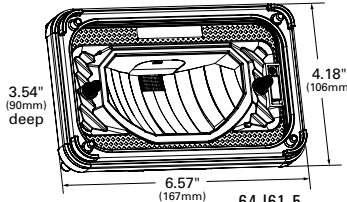
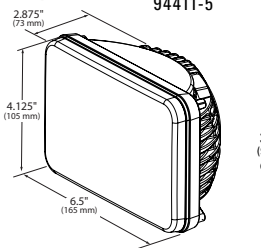
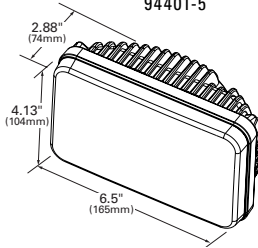
94401-5



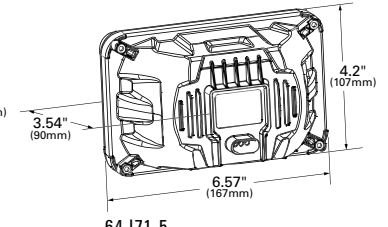
94411-5



94421-5



64J61-5



64J71-5

Part Number	FMVSS/SAE	Product Description	Low Beam Watt	High Beam Watt	Voltage (V)	Amperage (A)
94401-5 <small>RETAIL MULTI</small>	HL 17	Grote® 4"x6" LED Headlamp Combination	18.84 at 12V 18.84 at 24V	18.84 at 12V 18.84 at 24V	9-32	1.57A at 12V 0.77A at 24V
94411-5 <small>RETAIL MULTI</small>	HL 16	Grote® 4"x6" LED Headlamp High Beam	N/A	17.16 at 12V 16.08 at 24V	9-32	1.43A at 12V 0.67A at 24V
94421-5 <small>RETAIL MULTI</small>	HL 16	Grote® 4"x6" LED Headlamp Low Beam	13.08 at 12V 12.72 at 24V	N/A	9-32	1.09A at 12V 0.53A at 12V
64J61-5 <small>RETAIL MULTI</small>	LB1V	Grote® 4"x6" Heated LED Headlamp, Low Beam	20/35	N/A	12-30	1.67A at 12V 2.91A at 12V (Heat Function Active)
64J71-5 <small>RETAIL MULTI</small>	UB1	Grote® 4"x6" Heated LED Headlamp, High Beam	N/A	12/35	12-30	1A at 12V 2.91A at 12V (Heat Function Active)

### Accessories

Part Number	Description
68630	Self-addressable pigtail for vehicles with non-standard H4 wiring
68670	Constant power harness (Anti-flicker)

Materials	Certifications
Housing: anodized aluminum, Lens UV-coated polycarbonate	4"x6" lamps meet DOT, FMVSS 571.108

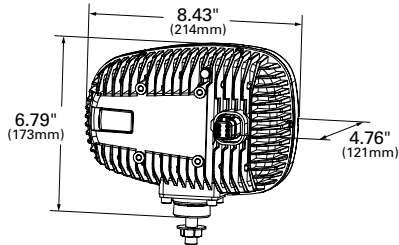
### Interchange

Part Number	Replaces Halogen Lamp
94401-5, 94411-5, 94421-5	H5062, 2A-1, 1A-1

VMRS Code: 034-001-151

All figures listed are based on nominal voltage

LED



## LED HEATED SNOW PLOW LAMPS

Integrated thermal circuit senses ambient temperature to activate the heating element • Will melt snow and ice in 15-20 minutes

- 84661-4** Heated Lens Right-Hand and Left-Hand Kit **RETAIL MULTI**  
**84631-5** Heated Lens High/Low Beam Head Light, LH **RETAIL MULTI**  
**84641-5** Heated Lens High/Low Beam Head Light, RH **RETAIL MULTI**

**Material:** Lens: Glass; Housing: Die-Cast Aluminum

**Regulations / Standards:** FMVSS 108 / HB - SAE UB3; LB - SAE LB3V, IP67

**Volts / Amps:** 12V-30V;

3.5A at 12V High + Low

8.34A at 12V Heated High + Low

2.5A at 30V High + Low

3.34A at 30V Heated High + Low

Low Beam 22/40W (Heated)

High Beam 44/60W (Heated)

**VMRS Code:** 034-001-074

**per-lux**  
BY Grote



64291-4

## PER-LUX® SNOWPLOW LAMPS

Resilient, polycarbonate housing and halogen sealed beam withstands hours of use at sub-zero temperatures • Features integrated parking and turn signal lights • Rubber shock mount and center mounting stud absorbs road shock • Optional 5-way Packard® Connector

### SEALED BEAM:

- 64261-4** Pair Pack  
**64241** Left-hand Side  
**64251** Right-hand Side

### SEALED BEAM WITH CONNECTOR:

- 64291-4** Pair Pack

**Material:** Polycarbonate

**Regulations / Standards:** FMVSS 108 / SAE H, I2, P

**Finish:** Black

**Volts / Amps:** Bulb H6545, Major - 65 Watt, 40,000 C.P./Minor -

45 Watt, 25,000 CP: 12V / 5.0/3.5A

Bulb 1157, 32/3 CP: 12V / 2.1/.59A

**Pigtail:** 68680 (64291-4)

**Lens:** Yellow 90483

**VMRS Code:** 034-001-074

## SNOWPLOW LAMP KIT WITH UNIVERSAL WIRING HARNESS

Integrated turn signal/parking lamp lens • Vibration-dampening mounting system prolongs bulb life • Kit includes left and right side lamps, heavy-duty selector switch, wiring connectors, mounting hardware, and easy installation instructions

- 63381 Left-Hand Side
- 63391 Right-Hand Side
- 63451-4 Pair Pack

**Material:** Polycarbonate

**Regulations / Standards:** FMVSS 108 / SAE H, I2, P

**Finish:** Black

**Volts / Amps:** Bulb H6054, Major - 65 Watt/Minor - 35 Watt; 12V / 5/2.7A  
Bulb: 1157, 32/2 CP: 12V / 2.1/.59A  
Bulb: 1156, 32 CP: 12V / 2.1A

**VMRS Code:** 034-001-074



## LED COMBINATION HEAD LAMPS

Integrated DT connector (pigtail included) • Includes high, low, turn, and parking light integrated rear facing turn

- 84651-4 Combination Right Hand and Left Hand Kit **RETAIL** **FOG** **MULTI**
- 84611-5 High/Low Beam Headlight, LH **RETAIL** **FOG** **MULTI**
- 84621-5 High/Low Beam Headlight, RH **RETAIL** **FOG** **MULTI**

**Material:** Lens: Polycarbonate; Housing Die-Cast Aluminum

**Regulations / Standards:** FMVSS 108 / HB - SAE UB3; LB - SAE LB3V, IP67

**Volts / Amps:** 12V-36V;  
3.83A at 12V, 1.27A at 36V  
Low Beam 14W / High Beam 32W

**VMRS Code:** 034-001-074



## LED FOG LAMPS

SAE J583™ compliant LED headlamps • Integrated DT connector harness included with kits • Two options for mounting flexibility, bracket mount or bezel flush mount

- 64H51-4 2 Each 64H51-5 Bracket Mount Fog Lamps **RETAIL** **FOG** **MULTI**
- 64H51-5 Bracket Mount LED Fog Lamp **RETAIL** **FOG** **MULTI**
- 64H61-4 2 Each 64H61-5 Bezel Mount LED Fog Lamps **RETAIL** **FOG** **MULTI**
- 64H61-5 Bezel Mount LED Fog Lamp **RETAIL** **FOG** **MULTI**

**Material:** Lens: Polycarbonate; Housing: Die-Cast Aluminum; Bracket: Stainless Steel

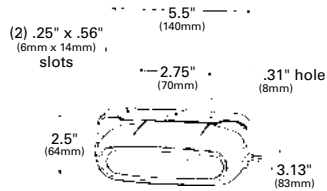
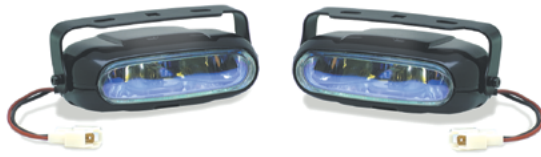
**Regulations / Standards:** FMVSS 108 / SAE J583™, F

**Volts / Amps:** 12V-36V; 1.42A at 12V, .47 at 36V

**Accessory:** Canbus Adapter Harness: 68650  
Fog Lamp Vehicle Harness: 68660

**VMRS Code:** 034-001-012





## SLIM-LINE HALOGEN FOG LIGHTS

Housing made of die-cast aluminum • Ion-coated lens • Kit includes lamps, switch, wiring, and instructions • Not compliant for FMCSA 393.24(b) applications

**64371-5** Clear, Fog Lamp Kit **FOG RETAIL**

**Material:** Die-Cast Aluminum

**Regulations / Standards:** FMVSS 108 / SAE F

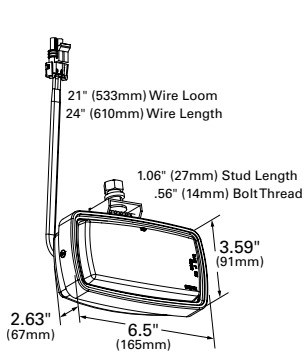
**Finish:** Black

**Volts / Amps:** 12V / 4.7A

**Bulb:** H3, 55 Watt, 121 CP

**Accessory:** Bulb: 90971-5

**VMRS Code:** 034-001-012



## HALOGEN FOG LAMP

Glass lens resists hazing • Aluminized reflector for increased brightness  
• Black powder-coated hardware • Industry-standard electrical connector  
• Watertight design on the front of the lamp • Meets FMCSA 393.25 (b)

**63531** Black **FOG**

**Material:** Glass / Plastic Housing

**Regulations / Standards:** FMVSS 108 / SAE F

**Finish:** Black

**Bulb:** H3, 55 Watt, 121 CP

**Volts / Amps:** 12V / 4.7A

**VMRS Code:** 034-001-012



## PER-LUX® 200 SERIES FOG AND DRIVING LAMPS

Pair Packs include wiring kits • All lamps come with swivel mount

### HALOGEN:

**02001-4** Clear, Fog / Driving Lamp, Swivel Mount, Pair Pack **FOG**

**Material:** Stainless Steel

**Finish:** Stainless

**Bulb:** H7621-1, 20,000 CP

**Volts / Amps:** 12V / 3.9A; 50 Watt

**Lens:** Clear Glass 09561

**VMRS Code:** 034-001-012

**PER-LUX® 500 SERIES FOG AND DRIVING LAMPS**

Pair packs include wiring kits • All lamps come with swivel mount  
 • Fog lamp beam pattern pierces through fog, rain, snow, or dust effectively, focused ahead and low to the road, and giving a side-to-side as well as forward illumination

**HALOGEN:**

- 05001-5** All-Weather Louvered, H9421, Pair Pack, Stainless Steel **RETAIL**
- 05301-5** All-Weather Louvered, H9421, Pair Pack, Powder Steel **RETAIL**
- 05041-5** Driving Lights, H9420, Pair Pack, Stainless Steel **RETAIL**
- 05051-5** Fog Lamps, H9415, Pair Pack, Stainless Steel **FOG RETAIL**

**Material:** Stainless Steel

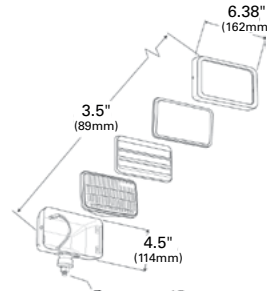
**Finish:** Stainless / Powder Coat

**Volts / Amps:** Bulb: H9421 - 14,000 CP: 12V / 3.9A; 50 Watt  
 Bulb: H9420 - 47,000 CP: 12V / 3.9A; 50 Watt  
 Bulb: H9415 - 12,000 CP: 12V / 2.9A; 37.5 Watt

**Lens:** Clear: Glass 09681

Sealed Beam: All-Weather, Halogen, Sealed Beam Clear H9421  
 Fog Lamp, Halogen, Sealed Beam Clear H9415

**VMRS Code:** 034-001-012



05041-5

**PER-LUX® 600 SERIES FOG AND DRIVING LAMPS**

Louvers direct the beam low to the road so reflected glare from fog, rain or snow is safely avoided • Pierces 100 feet through the densest fog  
 • Rugged stainless steel housing • Pair packs come with wiring kits  
 • Meets FMCSA 393.25(b) applications (except 06001-4)

**INCANDESCENT**

- 06021-4** Clear, All-Weather Lamp, Swivel Mount, Pair Pack **FOG**

**HALOGEN:**

- 06001-4** Clear, All-Weather Lamp, Swivel Mount, Pair Pack
- 06201** Clear, All-Weather Lamp, Swivel Mount

**Material:** Stainless Steel

**Finish:** Stainless

**Volts / Amps:** Bulb: #H7921-1 - 23,900 CP 12V / 3.9A; 50 Watt  
 Bulb: #4921-1 - 25,000 CP: 12V / 7.7A; 100 Watt

**Accessory:** Black Louver 09802

**Lens:** Clear: Glass 09781; Yellow, Glass 09793

Sealed Beam: Clear, All-Weather, Incandescent 4921-1;  
 Clear, All-Weather, Halogen 6006H

**VMRS Code:** 034-001-012



**per-lux**  
BY Grote



## PER-LUX® 700 SERIES FOG AND DRIVING LAMPS

Fog lamp beam pattern pierces through fog, rain, snow or dust effectively, focused ahead and low to the road giving side-to-side as well as forward illumination • Rugged stainless steel housing • Meets FMCSA 393.25(b)

### INCANDESCENT:

**07401** Clear, Fog Lamp, Rigid Mount

**FOG**

**Material:** Stainless Steel

**Regulations / Standards:** Street Legal

**Finish:** Stainless

**Volts / Amps:** Bulb #4912-1, 14,000 CP: 12V / 3.9A; 50 Watt  
Bulb #H7935-1 - 175,000 CP: 12V / 3.9A; 50 Watt  
Bulb #H7921-1 - 23,900 CP: 12V / 3.9A; 50 Watt

**Sealed Beam:** Clear, Fog, Incandescent 4912-1; Clear, Spot, Halogen H7935-1

**VMRS Code:** 034-001-012

1" sq. (25mm)  
Mounting hole for 1/4" dia. bolt  
.81" (21mm)  
"86" Terminal  
"87" Terminal  
"85" Terminal  
"30" Terminal



## FOG AND DRIVING LAMP RELAY

30-Amp relay • Guards against arcing and overloads

**44840-5** **RETAIL**

**Volts / Amps:** 12V / 30A max

**VMRS Code:** 034-003-018



## REPLACEMENT 12-VOLT HALOGEN BULBS

Replacement bulb for auxiliary lights

**90971-5** 55 Watt, Spade Terminal

**RETAIL**

**Bulb:** 90971-5 - H3, 55 Watt, 121 CP

**Volts / Amps:** 12V / 4.7A

**VMRS Code:** 034-004-019



91051

## REPLACEMENT 24-VOLT HALOGEN BULBS

**91051** 70 Watt, Spade Terminal

**24 VOLT**

**Volts / Amps:** 24V / 2.7A

**VMRS Code:** 034-004-019